

# Schaerer Coffee Joy

June 2011



## Basic configuration

Spouts: coffee (height adjustable) / hot water	1 / 1
Boiler: Hot water (1kW) / Steamboiler(1kW)	1 / 1
Grinders / Inlet for ground coffee	1
Programmable beverage selection	up to 5 different beverages

## Connections

Voltage	Power	Fuse protection
1L, N, PE : 220-240 V~ 50/60 Hz	2000-2200 W	10 A – 16 A
Water hardness	4°-6° dKH / 8°-10° fKH	

## Dimensions

Width / depth / height	305 / 445 / 405 mm
Weight	about 15 kg

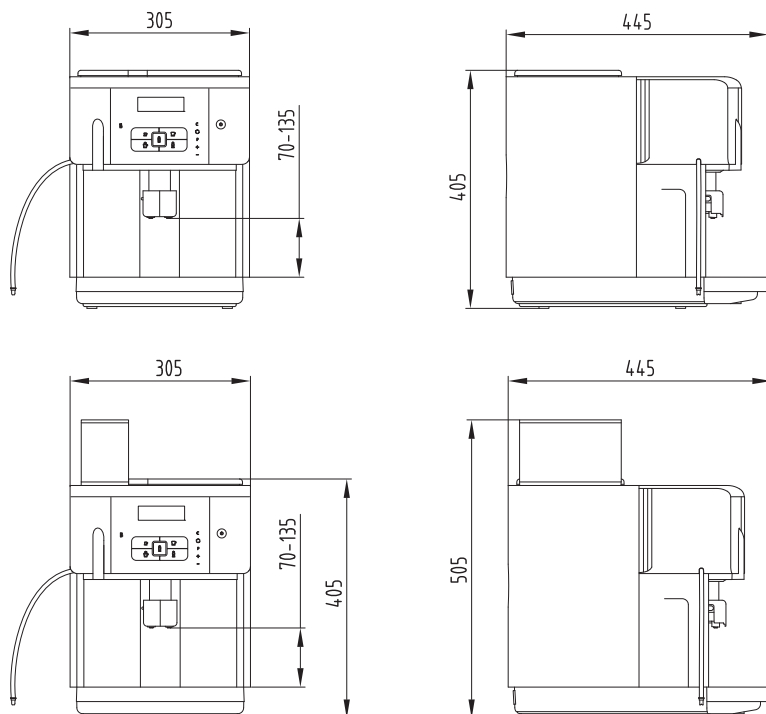
## Output per day / hour (approximate)

Espresso (cup of 50 – 60 ml)	50
Coffee (cup of 120 ml)	40
Milk beverages	30
Hot water	7.5 l

## Options

- Additional cooling unit
- Expandable bean container

## Dimensions



## Color

 Black

Differences between the offered machine and the picture and the configuration are possible.

Schaerer Ltd.  
P.O. Box  
Allmendweg 8  
CH-4528 Zuchwil  
T +41 (0)32 681 62 00  
F +41 (0)32 681 62 42  
info@schaerer.com  
www.schaerer.com

 **schaerer**  
Coffee comes to life