

# Schaerer Coffee Prime

October 2011



## Basic configuration

Dispensing unit: coffee / hot water with separate outlets	1
2 Boiler: coffee / and hot water	1 / 1
Grinders	1
Programmable beverage selection	up to 40 different beverages
Water filter for internal water tank	1
Water supply / water tank (switchable)	5.2 l

## Connections

Voltage	power	fuse protection
1L, N, PE: 220-240 V~ 50/60 Hz	2000-2400 W	10-16 A
Water connection	G 3/8 " max 0.6 MPa (6 bar)	
Water outlet	Ø 16 mm	
Water hardness	4°-6° dKH / 8°-10° fKH	

## Dimensions

Width / depth / height	348 / 538 / 560 mm
Weight	about 25 kg

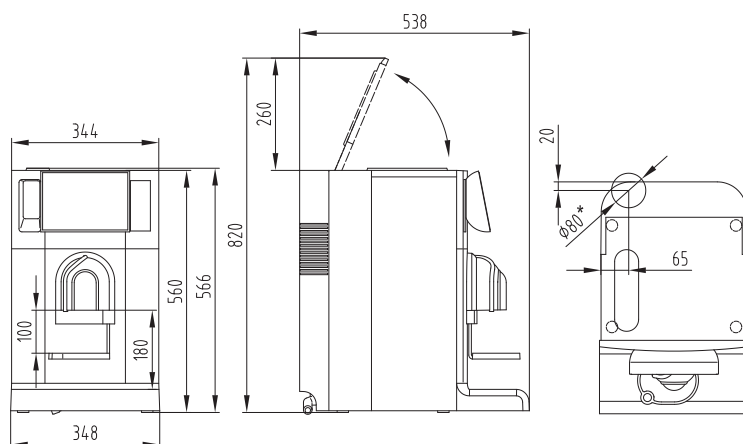
## Output per hour (approximate)

Coffee / Espresso	up to 60 cups
Milk beverage	up to 40 cups

## Options

Second bean hopper complete with a grinder
One or two powder systems
Under-counter grounds disposal
Brewing accelerator
Side cooling unit
Cup dispenser
External water- and dirty water tank
Coin tester / Payment system in mounting element
Connection to any commercial payment and settlement systems

## Dimensions



## Colours

Illustrations may not reflect actual colour

■ Titan Silver

Differences between the offered machine and the picture and configuration are possible.

Schaerer Ltd.  
P.O. Box  
Allmendweg 8  
CH-4528 Zuchwil  
T +41 (0)32 681 62 00  
F +41 (0)32 681 62 42  
info@schaerer.com  
www.schaerer.com

 **schaerer**  
Coffee comes to life